

FEATURES :

- **Wide Bandwidth**
- **Low Conversion Loss**
- **High Image Rejection**

SPECIFICATIONS

RF Frequency Range, [MHz]	50-650
LO Frequency Range, [MHz]	70-670
IF Frequency Range, [MHz]	20-22
Conversion Loss, max [dB]	7.5
Image Rejection, min [dB]	25
VSWR RF port, max	1.5 : 1
LO port, max	2.0 : 1
IF Port, max	1.2 : 1
Isolation LO - RF, min [dB]	35
LO - IF, min [dB]	35
RF - IF, min [dB]	30
LO Power typ. [dBm]	13±1
Input 1dB C.P. min [dBm]	+6
Input IP ³ min [dBm]	+16

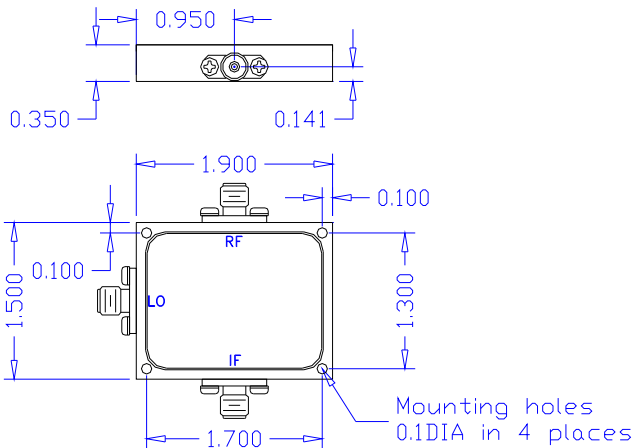
Operating Characteristics

Maximum RF Input Power, [dBm]	20
Maximum LO Power, [dBm]	23
Impedance, [Ohm]	50
Operating Temperature	-20°C to +70°C

Ordering Information

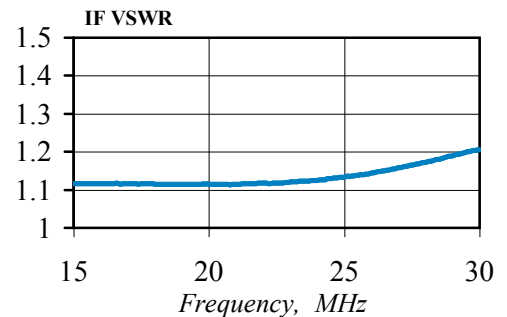
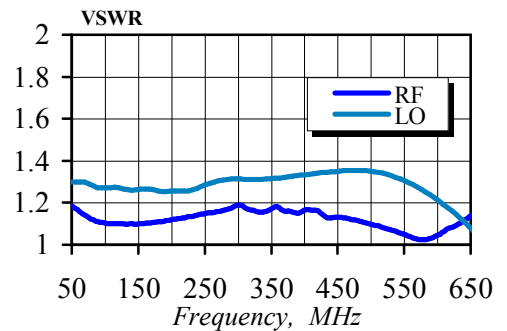
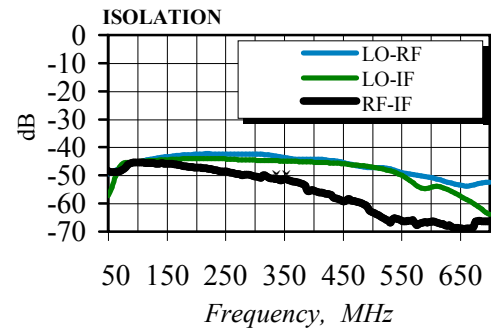
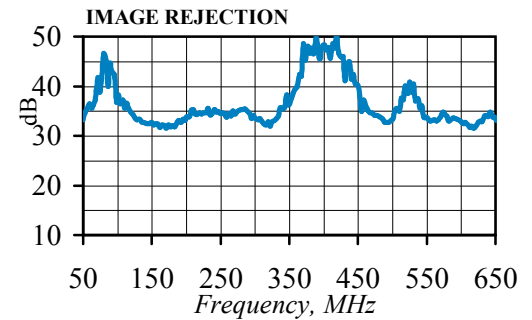
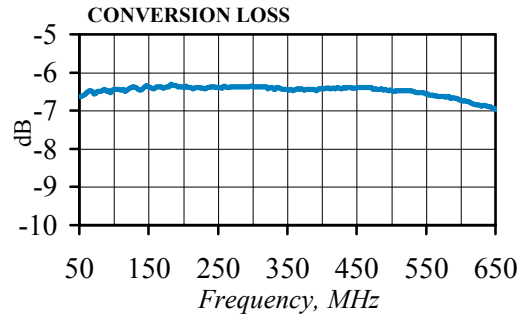
Model No.	Connectors	Package
IRM290-650-SMA	SMA	M3 or M1
IRM290-650-P	pin	M3

Outline drawing M3 dimensions in inches



Specifications Subject To Change Without Notice

Typical Performance



RF, IF VSWR & RF-IF Iso measured at LO Freq. 350MHz and LO power +13dBm @ +25°C