

**FEATURES :**

- **Steep Cut-Off**
- **Small Size**
- **Wide Stopband**

**SPECIFICATIONS**

3dB Corner Frequency, [MHz] min.	950
Passband Loss DC to 800MHz, [dB] max.	1.0
Rejection 1.0GHz to 14GHz, [dB] min.	30
VSWR	1.5 : 1

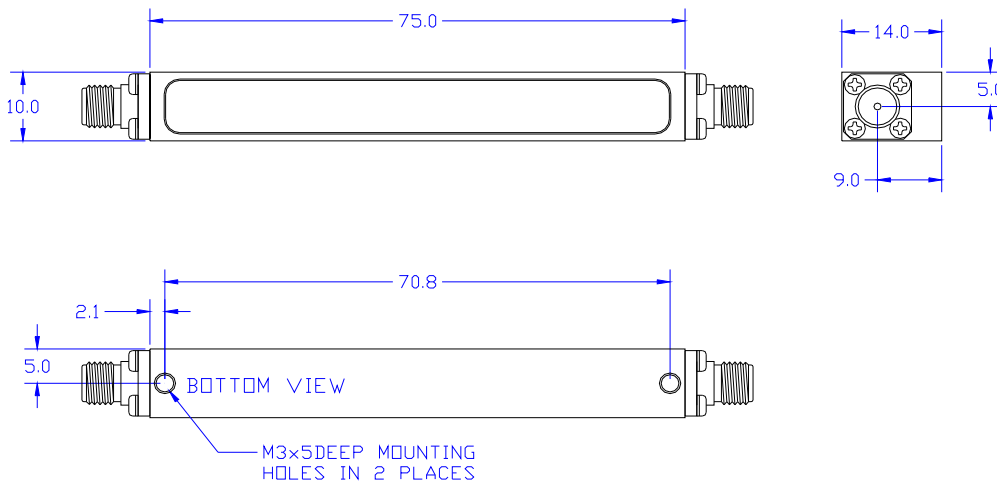
**Operating Characteristics**

Input Power, [W] with matched load	1
Impedance, [Ohm]	50
Connectors	SMA female
Operating Temperature	-20°C to +70°C

**Ordering Information**

**Model No.**  
**FLLE21-950**

**Outline drawing** dimensions in mm



**Typical Performance**

