

FEATURES :

- *Small Size*
- *Steep Rejection*

SPECIFICATIONS

3dB Corner Frequency, [MHz] min.	460
Passband Loss DC to 400MHz, [dB] max.	0.6
Rejection 550MHz to 3GHz, [dB] min.	60
VSWR	1.5 : 1

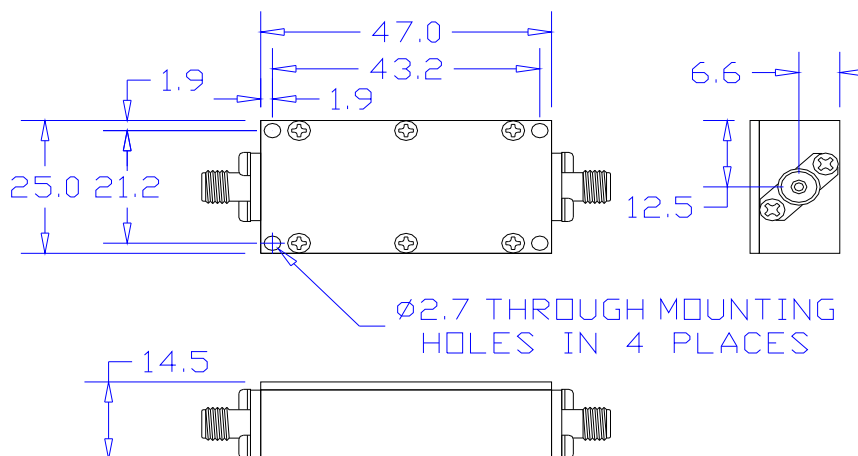
Operating Characteristics

Input Power, [W] with matched load	10
Impedance, [Ohm]	50
Connectors	SMA female
Operating Temperature	-20°C to +70°C

Ordering Information

Model No.
FLL15-450

Outline drawing dimensions in mm



Typical Performance

