

**FEATURES :**

- *Small Size*
- *Steep Rejection*

**SPECIFICATIONS**

3dB Corner Frequency, [MHz] min.	370
Passband Loss DC to 350MHz, [dB] max.	1.0
Rejection 520MHz to 2GHz, [dB] min.	80
VSWR	1.5 : 1

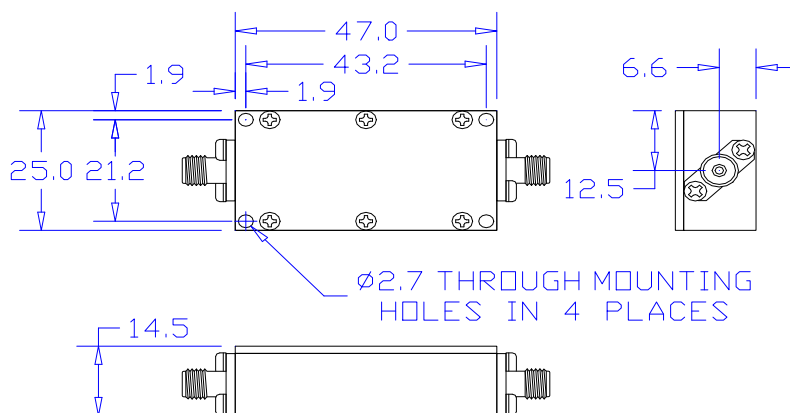
**Operating Characteristics**

Input Power, [W] with matched load	10
Impedance, [Ohm]	50
Connectors	SMA female
Operating Temperature	-20°C to +70°C

**Ordering Information**

**Model No.**  
**FLL15-370**

**Outline drawing** dimensions in mm



**Typical Performance**

